

G-7090-LM55S-T

Pressure Balancing Valve Trim with Handle & Diverter
Incanto Collection

GRAFF[®]
CUTTING EDGE DESIGN



Product Features

- Single metal handle, decorative trim plate
- Includes push-button diverter
- Use with G-7055 pressure balancing rough valve

Available Finishes

- Polished Chrome
G-7090-LM55S-PC-T
- Brushed Nickel
G-7090-LM55S-BNi-T
- Polished Nickel
G-7090-LM55S-PN-T
- Olive Bronze*
G-7090-LM55S-OB-T*
- Brushed Gold*
G-7090-LM55S-BAU-T*

* Special order finish- call for availability

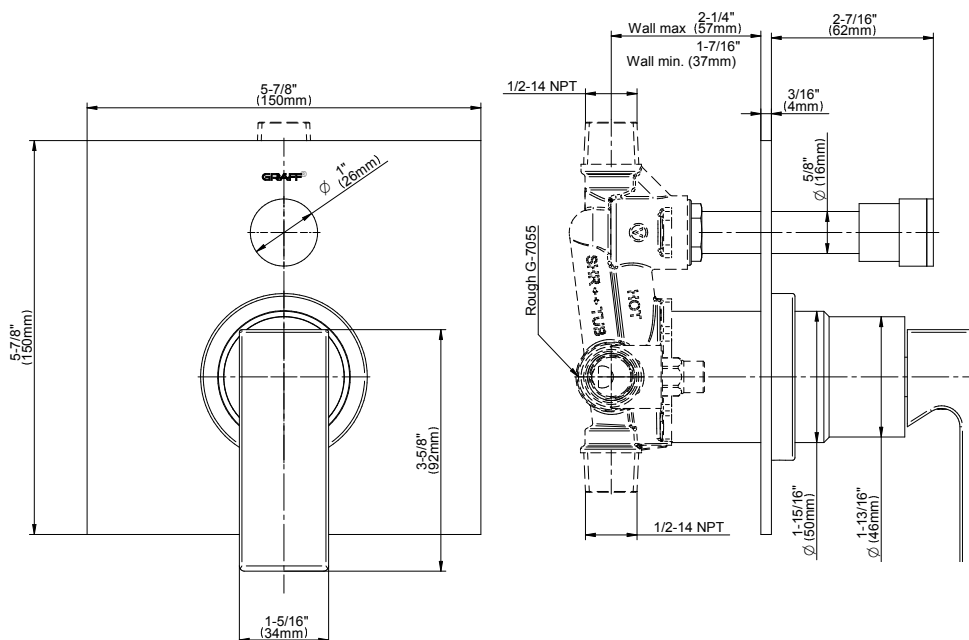
Code Compliance

- ADA

Warranty

- Limited lifetime warranty

For complete warranty information go to
<https://www.graff-faucets.com/en/info/faqs>



The measurements shown are for reference only. Products and specifications shown are subject to change without notice. Revised 1/2018.

www.graff-designs.com | phone: 800-954-4723